

BD300

Item Size: 4 3/8" W x 1 3/4" H

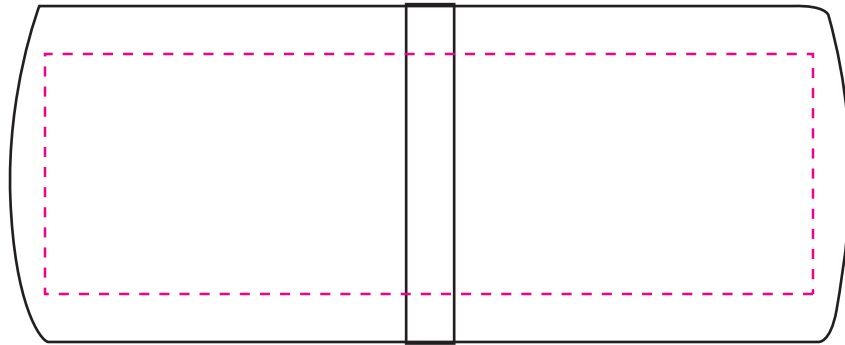
Max Imprint Area: 4" W x 1 1/4" H

(Indicated By Dotted Line, Does Not Print)

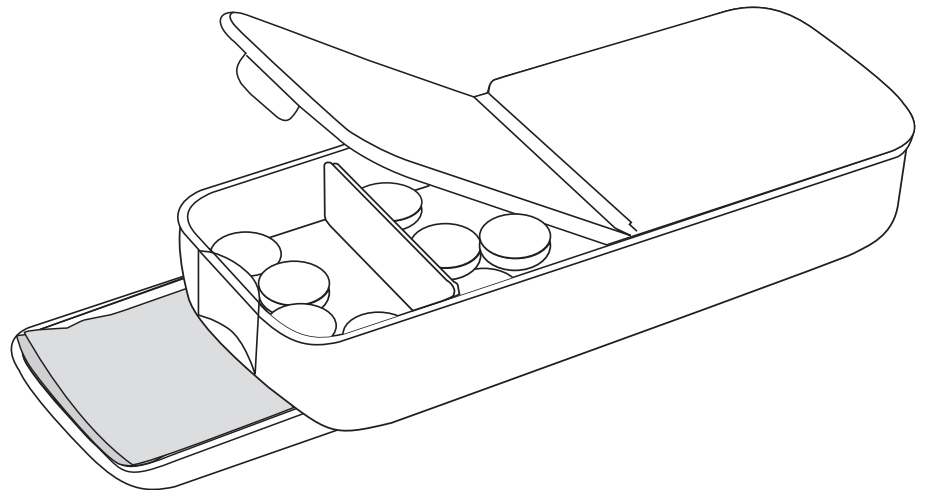
Imprint Method: **PAD PRINT 130 CUP**

ONE COLOR IMPRINT ONLY

**Translucent Bandage
Dispenser / Pill Case**



Artwork @ 100%



PLATING

DATE

NAME

PRINTING

DATE

NAME