

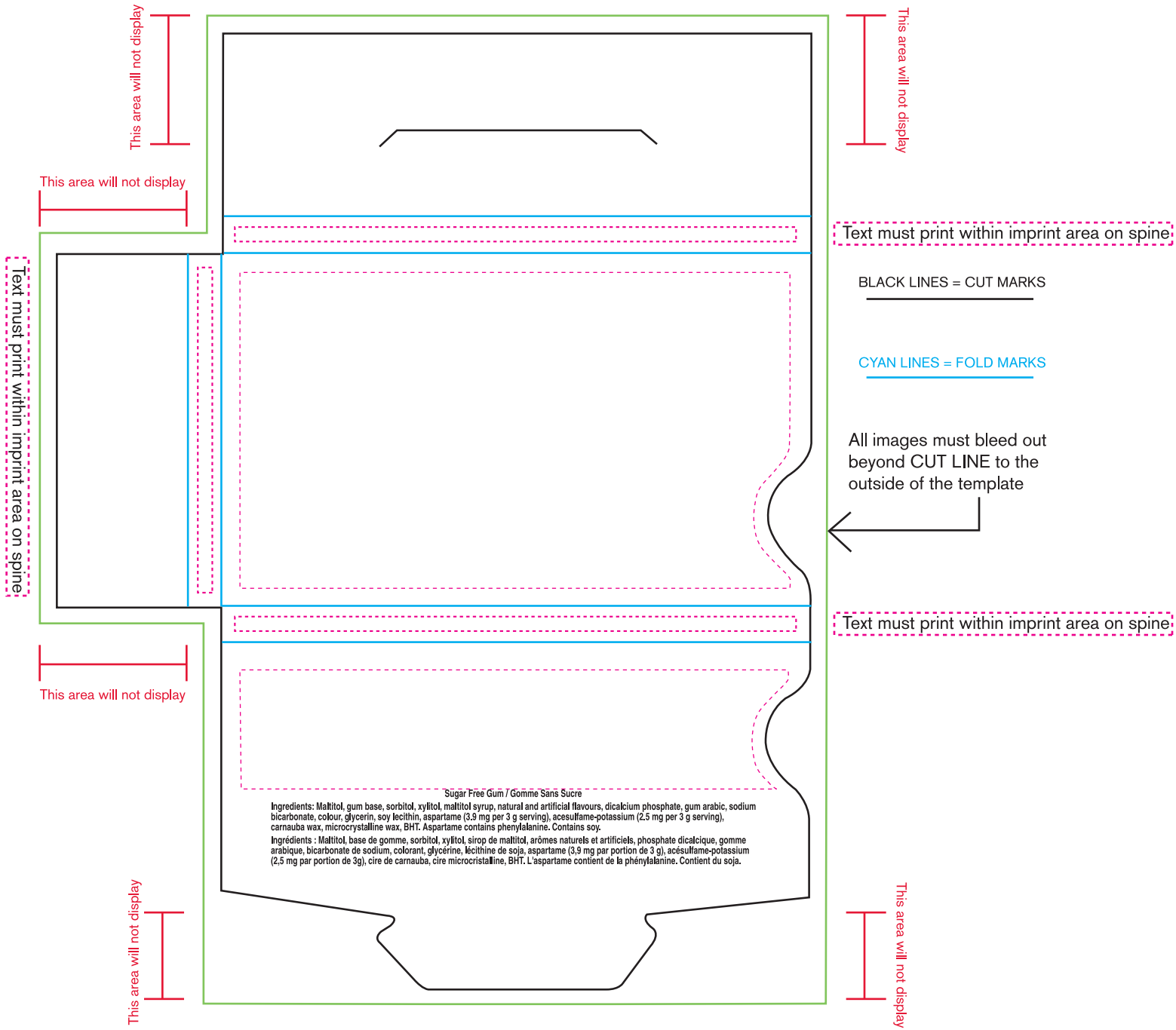
# SBF 1600

## Gumvelope

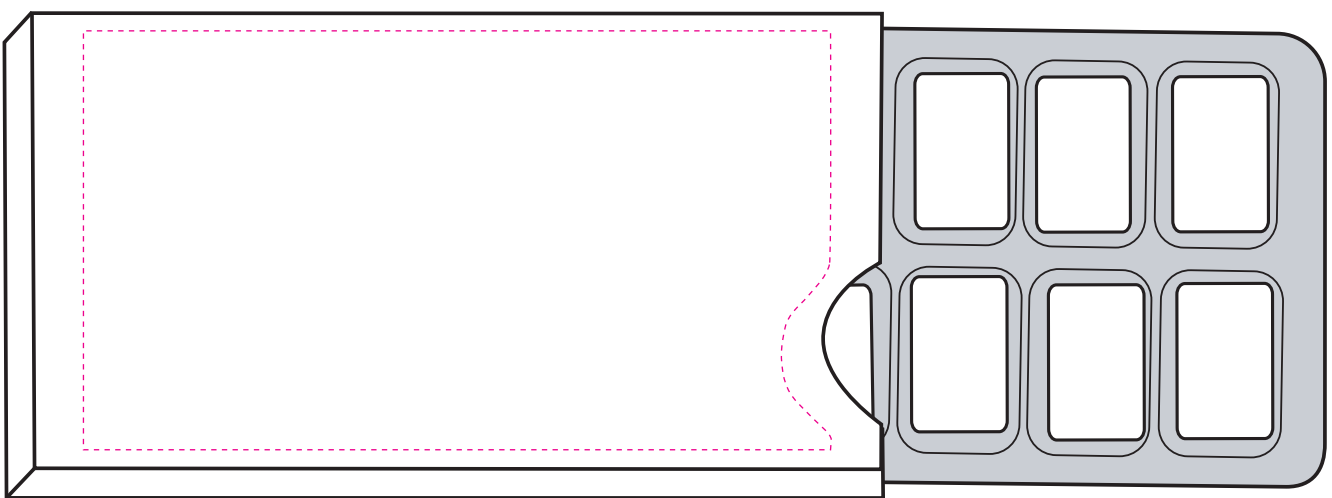
Item Size: 4 1/16" w x 2.5" h  
 Max Imprint Area: **Front:** 3 3/4" w x 2 1/8" h  
**Back:** 3 51/64 x 1 7/64  
**Front/Back Side:** 3 51/64 x 11/64  
**Right Side:** 5/32 x 11/64  
 (Indicated By Dotted Line, Does Not Print)

Artwork @ 100%

Artwork @ 100



Front of Velope  
When Folded



Rear of Velope  
When Folded

